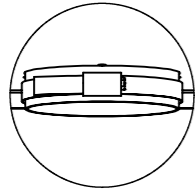


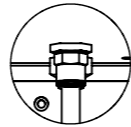
DETAIL C
SCALE 1 : 5
AIR EXTRACTION
100MM DIAMETER
HOSE CLAMP



DETAIL A
SCALE 1 : 5
AIR SUPPLY
10MM DIAMETER
PUSH FIT TUBE
5.5 TO 8 BAR

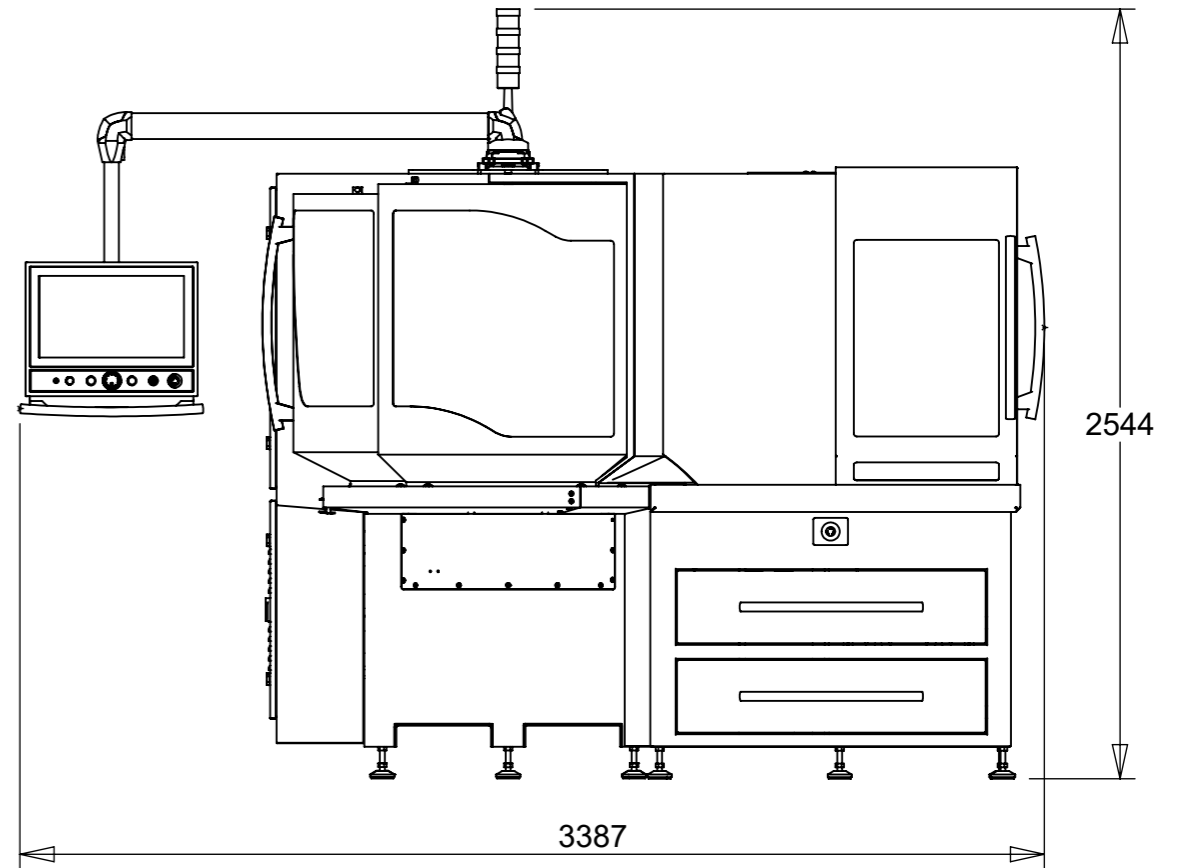
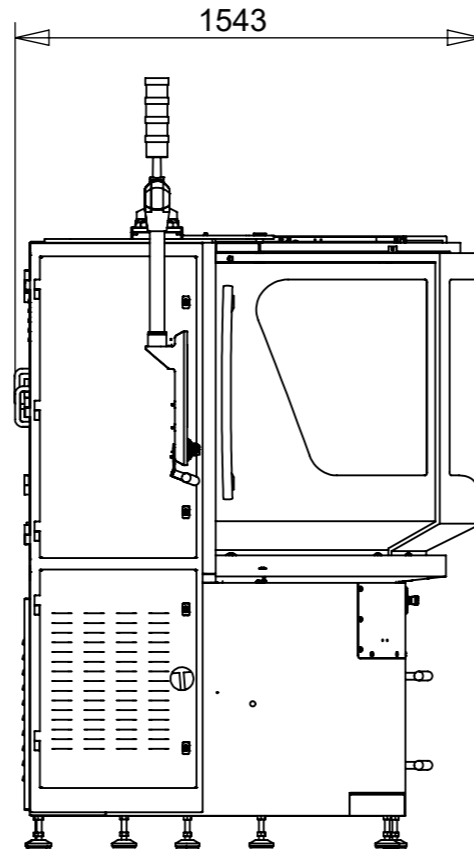
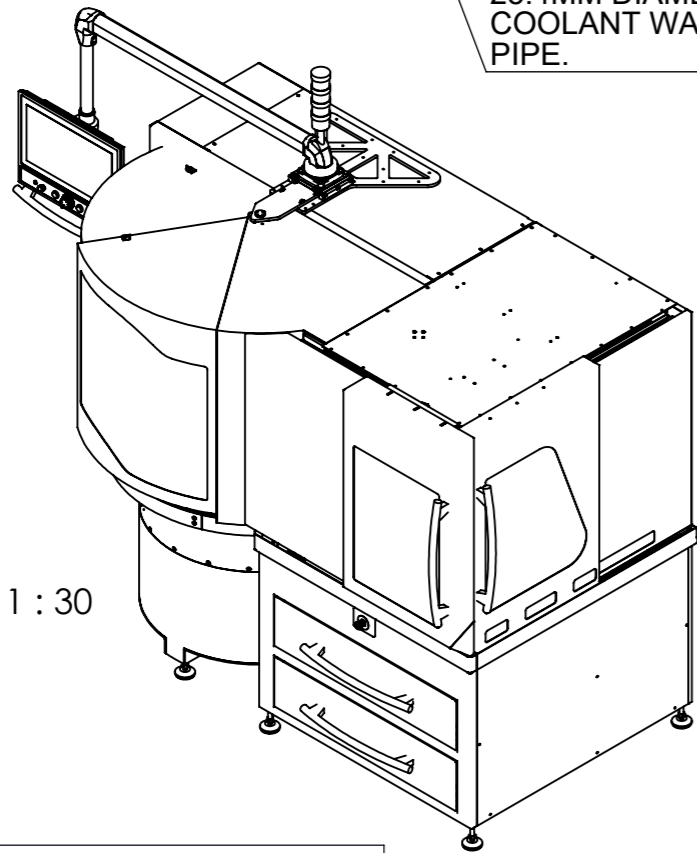
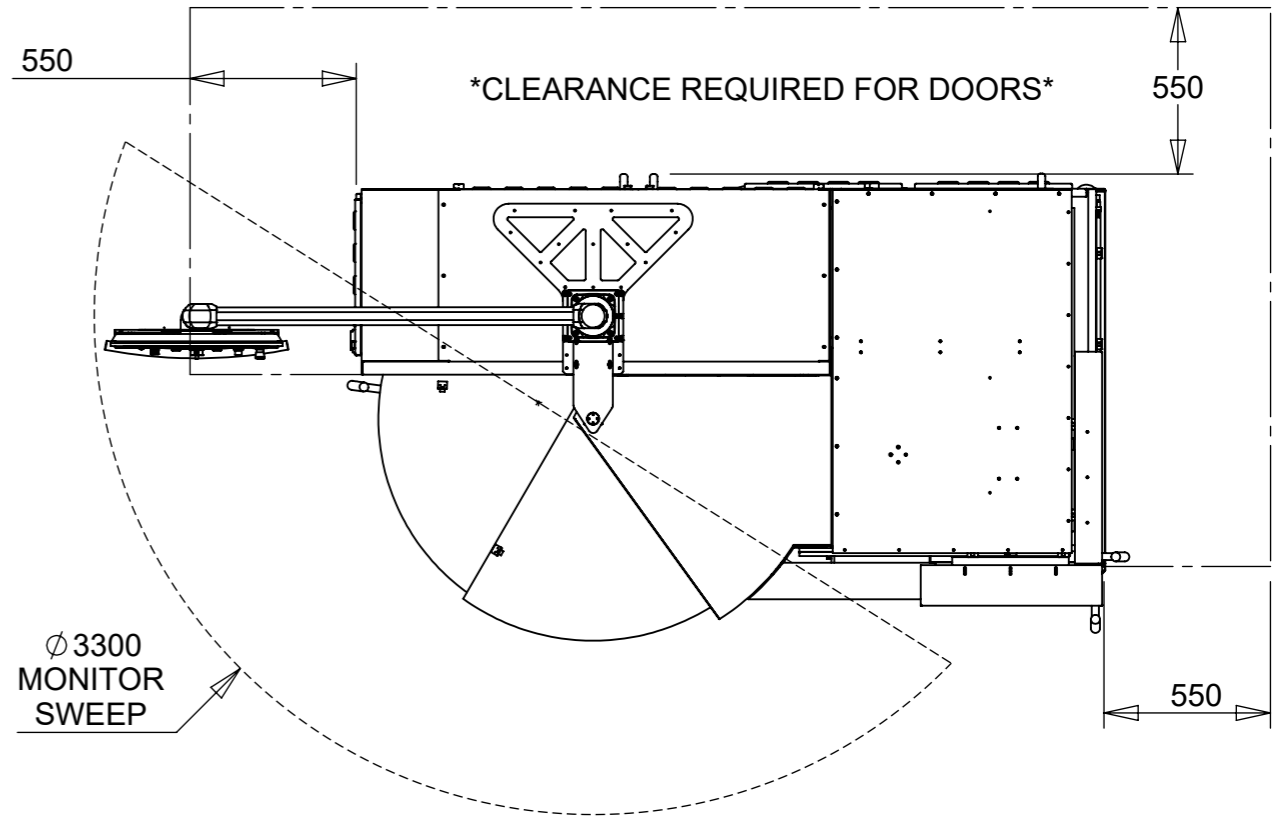


DETAIL B
SCALE 1 : 5
COOLANT INPUT
12MM DIAMETER
PUSH FIT TUBE



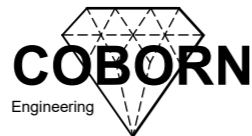
POWER IN
3 PHASE
220/415V
20/10A
20A MCB.

25.4MM DIAMETER
COOLANT WASTE
PIPE.



ALL CHANGES MUST BE MADE ON CAD PRIOR TO PRODUCTION

ISS	DATE	AMENDMENTS	ECR #	CHK
B	24-01-17	LARGE SCALE CHANGES	0939	JKR



**COBORN ENGINEERING
COMPANY LTD.**
CHESHAM CLOSE, ROMFORD
ESSEX. RM7 7PJ ENGLAND
Telephone +44(0) 1708 744666
FAX +44(0) 1708 725187
e-mail enquiries@coborn.com
website www.coborn.com

© THIS DRAWING IS THE PROPERTY OF COBORN ENGINEERING COMPANY LIMITED AND MUST NOT BE COPIED IN WHOLE OR PART WITHOUT WRITTEN PERMISSION. ALL RIGHTS RESERVED

ALL DIMENSIONS IN MILLIMETERS (INCHES)



GENERAL MACHINING TOLERANCES UNLESS OTHERWISE STATED

GENERAL MACHINING TOLERANCES UNLESS OTHERWISE STATED				MAT'L	WEIGHT
X.	±.5 (.02")	XX	±.2 (.008")	FINISH	
X.XX	±.05 (.002")	X.XXX	±.013 (.0005")	COLOUR	CHK'D
ANGLES ±1/2° MACHINED/PREPARED SURFACE √ 1.6					
A3	26-11-15	JKR	2 OF 3	0011-S25001	B
SCALE	DATE	DRAWN	SHT	MACHINE PART No	ISS

TITLE
**RG9A - ALS
ROBOT ENCLOSURE**